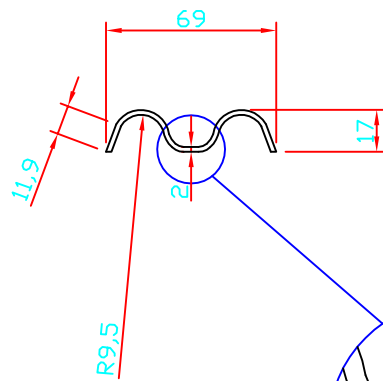
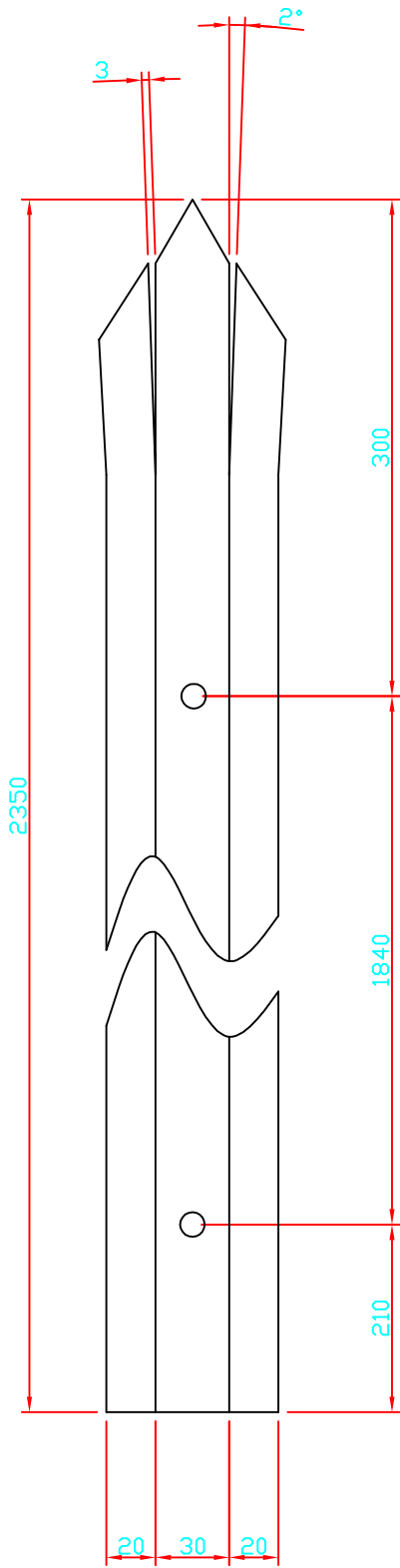
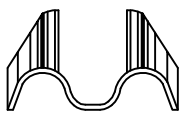
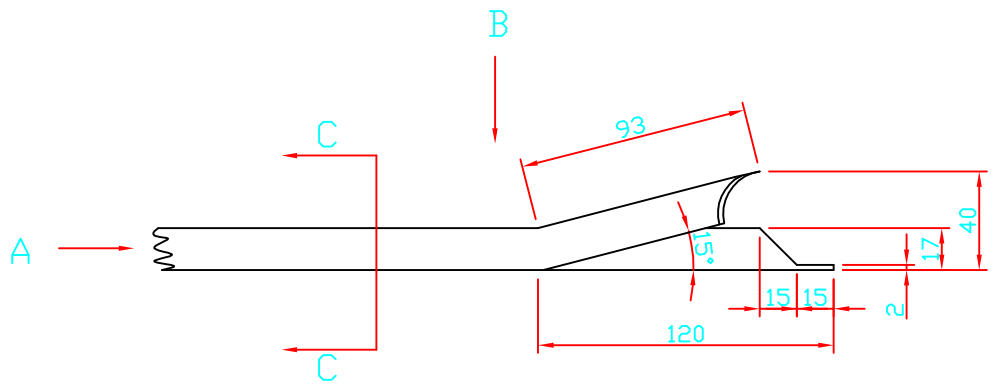
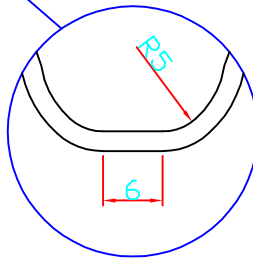


View on "B"

17 x PER BAY (2.75m)



Section through on "C"



View on "A"